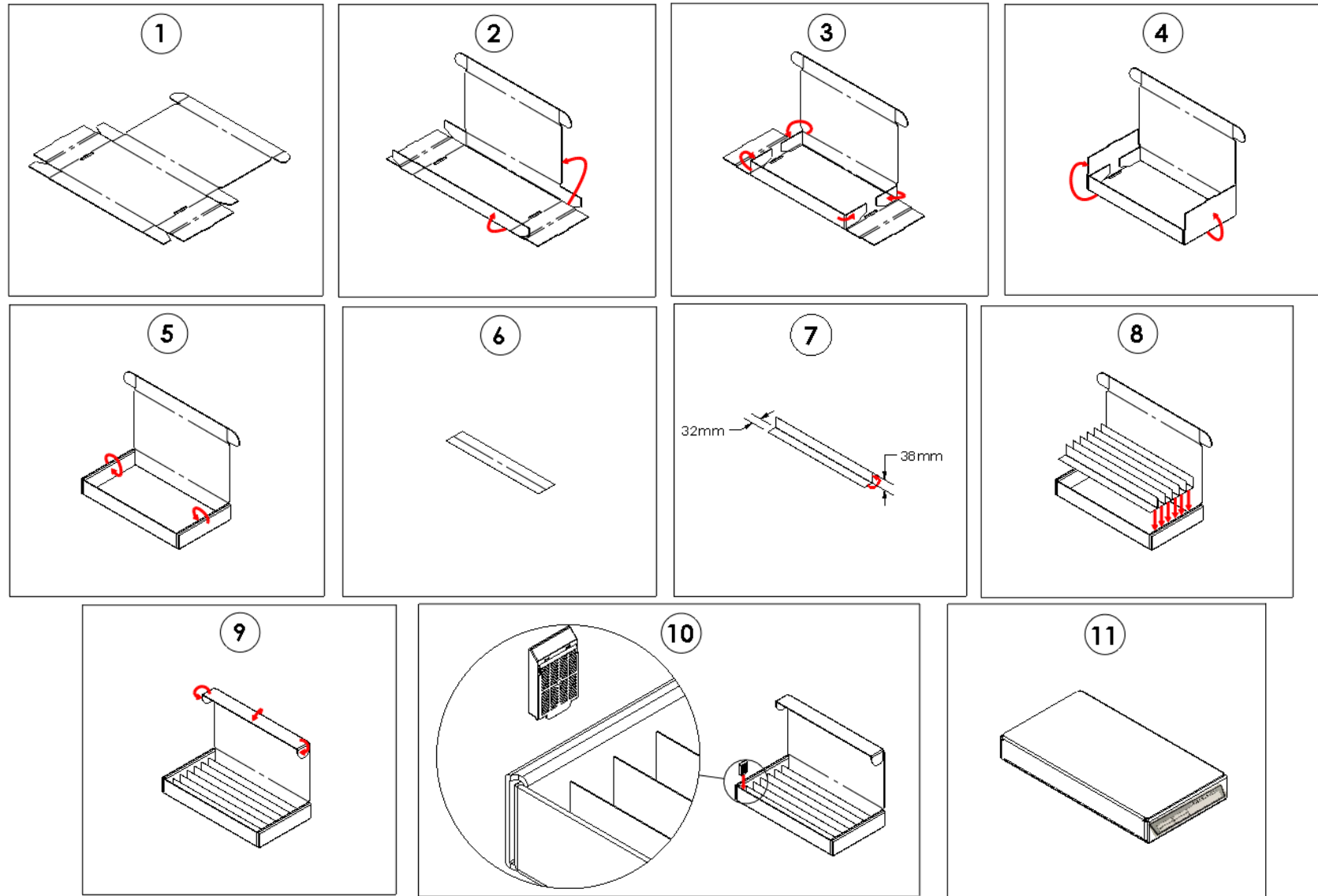


# Simport® Scientific® M495-7 Storage Drawer - Instructions for use



ETI-M495-7 REV00. Date d'émission / Issue Date: 2019-05-03

Simport® Scientific Inc., 2588, Bernard-Pilon, Beloeil (Québec) J3G 4S5 Canada

Phone: (450) 464-1723 Fax: (450) 464-3394 Email: [info@simport.com](mailto:info@simport.com) Website: [www.simport.com](http://www.simport.com)

Printed in Canada